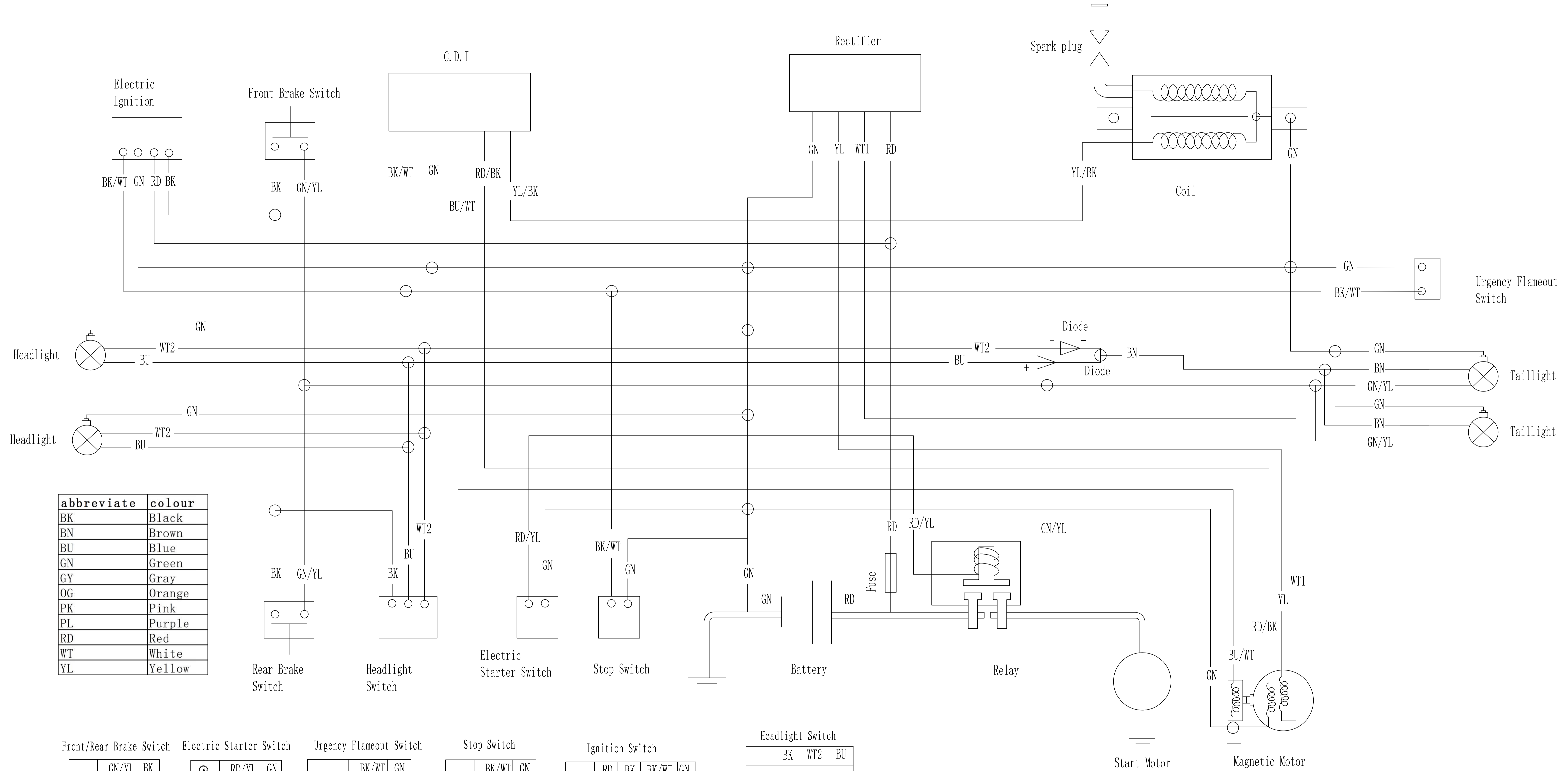


YK110 Electrical Schematic Diagram



abbreviate	colour
BK	Black
BN	Brown
BU	Blue
GN	Green
GY	Gray
OG	Orange
PK	Pink
PL	Purple
RD	Red
WT	White
YL	Yellow

Front/Rear Brake Switch

	GN/YL	BK
Idle		
Down	○	○

Electric Starter Switch

	RD/YL	GN
Idle		
Down	○	○

Urgency Flameout Switch

	BK/WT	GN
Combine		
Separate	○	○

Stop Switch

	BK/WT	GN
○		
⊗	○	○

Ignition Switch

	RD	BK	BK/WT	GN
ON	○	○		
OFF			○	○

Headlight Switch

	BK	WT2	BU
○			
☞	○	○	
☛	○	○	○

Start Motor

Magnetic Motor